

EXTENSION NIPPLES

Durable Stainless Steel for Reduced Standoff Distance

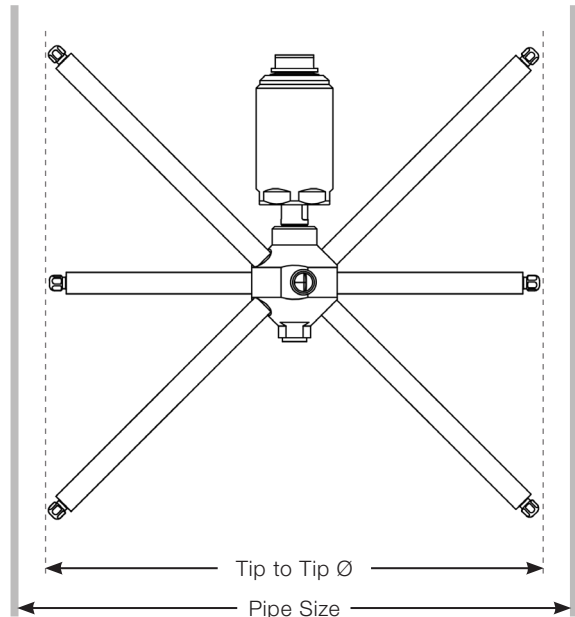
Extension nipples maximize jet power and material removal rates by placing nozzles close to the target surface being cleaned.

StoneAge offers a range of durable, stainless steel extension nipples to suit several of our pipe and tank cleaning tools. Custom lengths are available. Contact your Account Representative for price and availability.

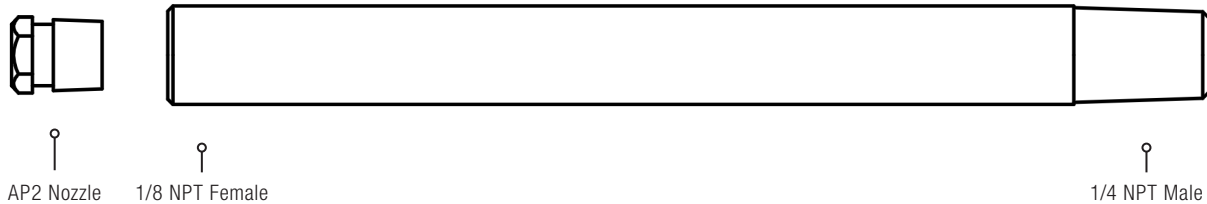
LENGTH OF EXTENSION

Length of extension is determined by pipe size. Tip to tip diameter (\emptyset) of extension length is based on desired standoff and actual tool location in pipe. Extension lengths may differ at individual port angles, for example: the standard nipple listed is as close to 1" of standoff as possible but actual standoff might be $\pm .5$ " at the 90° and $+ .5$ " to $- .5$ " at the 45° and 135° ports.

Use the tables below to select appropriate length of extension for required tip to tip diameter.



1/4 NPT PORT EXTENSION NIPPLES - 15K PSI/1040 BAR MAWP



EXTENSION SPECIFICATIONS

NIPPLE LENGTH	PART ID	TIP-TO-TIP DIAMETER*			
		RPT 044 HEADS		BJ 044 & BJ 144 HEADS	
		80°, 90°, 100°	45°, 135°	80°, 90°, 100°	45°, 135°
2 in. 51 mm	SA 567-P4P2-2	7 in. 178 mm	6 in. 152 mm	8 in. 203 mm	7 in. 178 mm
3 in. 76 mm	SA 567-P4P2-3	9 in. 229 mm	7 in. 178 mm	10 in. 254 mm	8 in. 203 mm
4 in. 101 mm	SA 567-P4P2-4	11 in. 280 mm	9 in. 229 mm	12 in. 305 mm	10 in. 254 mm
6 in. 152 mm	SA 567-P4P2-6	15 in. 381 mm	11 in. 280 mm	16 in. 406 mm	12 in. 305 mm
8 in. 203 mm	SA 567-P4P2-8	19 in. 483 mm	15 in. 381 mm	20 in. 508 mm	16 in. 406 mm
10 in. 254 mm	SA 567-P4P2-10	23 in. 584 mm	17 in. 432 mm	24 in. 610 mm	18 in. 457 mm
12 in. 305 mm	SA 567-P4P2-12	27 in. 686 mm	21 in. 533 mm	28 in. 711 mm	23 in. 584 mm

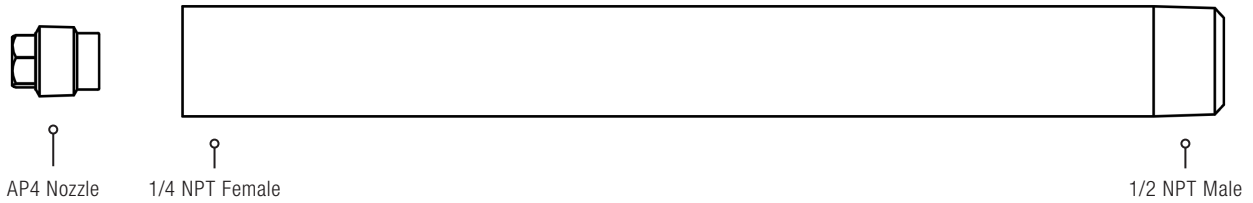
*Overall length including nozzles. Extension weight per inch (25 mm) = 0.05 lbs (0.02 kg)

Can be fitted to the following heads:

- BJ 044-P4-6-R09
- BJ 044-P4-6-R12
- BJ 044-P4-6-R20
- BJ 044-P4-6-R35
- BJ 044-P4-6-R60
- BJ 044-P4-7-R09
- BJ 044-P4-7-R12
- BJ 044-P4-7-R20
- BJ 044-P4-7-R35
- BJ 044-P4-7-R60
- BJ 144-P4-6-R12**
- BJ 144-P4-6-R20**
- BJ 144-P4-6-R35**
- BJ 144-P4-6-R60**
- BJ 144-P4-7-R12**
- BJ 144-P4-7-R20**
- BJ 144-P4-7-R35**
- BJ 144-P4-7-R6**
- RPT 044-P4-6-R11
- RPT 044-P4-6-R18
- RPT 044-P4-6-R30

**Nipples used in these heads will be limited to 15k psi/1040 bar.

1/2 NPT PORT EXTENSION NIPPLES



EXTENSION SPECIFICATIONS

NIPPLE LENGTH	PART ID	TIP-TO-TIP DIAMETER*	
		BJ 041 HEADS	
		80°, 90°, 100°	45°, 135°
2 in. 51 mm	SA 356-P8P4-2	8 in. 203 mm	7 in. 178 mm
3 in. 76 mm	SA 356-P8P4-3	10 in. 254 mm	8 in. 203 mm
4 in. 101 mm	SA 356-P8P4-4	12 in. 305 mm	10 in. 254 mm
6 in. 152 mm	SA 356-P8P4-6	16 in. 406 mm	12 in. 305 mm
8 in. 203 mm	SA 356-P8P4-8	20 in. 508 mm	16 in. 406 mm
10 in. 254 mm	SA 356-P8P4-10	24 in. 610 mm	18 in. 457 mm
12 in. 305 mm	SA 356-P8P4-12	28 in. 711 mm	21 in. 533 mm
18 in. 457 mm	SA 356-P8P4-18	40 in. 1016 mm	30 in. 762 mm
24 in. 610 mm	SA 356-P8P4-24	52 in. 1320 mm	40 in. 1016 mm
36 in. 914 mm	SA 356-P8P4-36	76 in. 1930 mm	60 in. 1524 mm

*Overall length including nozzle. Extension weight per inch (25 mm) = 0.11 lbs (0.05 kg)

Can be fitted to the following heads:

- BJ 041-P8-6-R12
- BJ 041-P8-6-R20
- BJ 041-P8-6-R35
- BJ 041-P8-6-R60

G12 PORT EXTENSION NIPPLES



EXTENSION SPECIFICATIONS

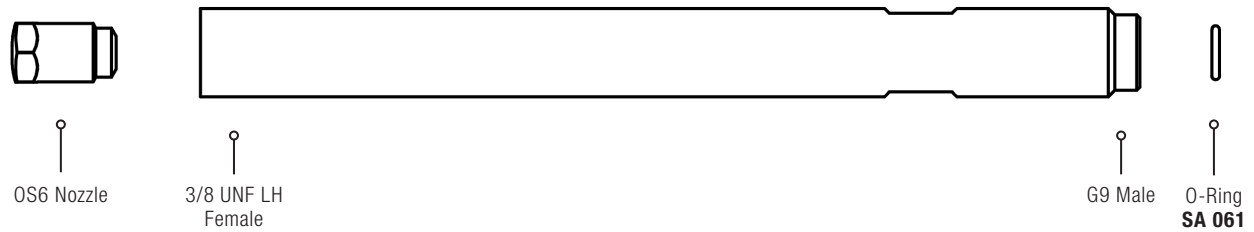
NIPPLE LENGTH	PART ID	TIP-TO-TIP DIAMETER*			
		BJ 145 HEADS		TORUS MANIFOLDS	
		90°	45°, 135°	R30 & R50	R90 & R150
2 in. 51 mm	SA 577-G12P4-2-0	8 in. 203 mm	7 in. 178 mm	9 in. 229 mm	7 in. 178 mm
3 in. 76 mm	SA 577-G12P4-3-0	10 in. 254 mm	8 in. 203 mm	11 in. 279 mm	9 in. 229 mm
4 in. 101 mm	SA 577-G12P4-4-0	12 in. 305 mm	10 in. 254 mm	13 in. 330 mm	11 in. 279 mm
6 in. 152 mm	SA 577-G12P4-6-0	16 in. 406 mm	12 in. 305 mm	17 in. 432 mm	15 in. 381 mm
8 in. 203 mm	SA 577-G12P4-8-0	20 in. 508 mm	16 in. 406 mm	21 in. 533 mm	19 in. 483 mm
10 in. 254 mm	SA 577-G12P4-10-0	24 in. 610 mm	18 in. 457 mm	24 in. 610 mm	23 in. 584 mm
12 in. 305 mm	SA 577-G12P4-12-0	28 in. 711 mm	21 in. 533 mm	28 in. 711 mm	27 in. 686 mm
18 in. 457 mm	SA 577-G12P4-18-0	40 in. 1016 mm	30 in. 762 mm	40 in. 1016 mm	39 in. 991 mm
24 in. 610 mm	SA 577-G12P4-24-0	60 in. 1524 mm	38 in. 965 mm	52 in. 1321 mm	51 in. 1295 mm
32 in. 813 mm	SA 577-G12P4-32-0	72 in. 1829 mm	46 in. 1168 mm	68 in. 1727 mm	67 in. 1702 mm
36 in. 914 mm	SA 577-G12P4-36-0	80 in. 2032 mm	55 in. 1397 mm	76 in. 1930 mm	75 in. 1905 mm

*Overall length including nozzle. Extension weight per inch (25 mm) = 0.08 lbs (0.04 kg)

Can be fitted to the following heads and Torus manifolds:

- BJ 145-G12-R12
- BJ 145-G12-R20
- BJ 145-G12-R35
- BJ 145-G12-R60
- TR130 240-R150
- TR130 240-R30
- TR130 240-R50
- TR130 240-R90

G9 PORT EXTENSION NIPPLES



EXTENSION SPECIFICATIONS

NIPPLE LENGTH	PART ID	TIP-TO-TIP DIAMETER*	
		BJ 441 HEADS	
		80°, 100°	135°
2 in. 51 mm	SA 569-G9S6-2-0	8 in. 203 mm	7 in. 178 mm
3 in. 76 mm	SA 569-G9S6-3-0	10 in. 254 mm	8 in. 203 mm
4 in. 101 mm	SA 569-G9S6-4-0	12 in. 305 mm	10 in. 254 mm
5 in. 127 mm	SA 569-G9S6-5-0	14 in. 356 mm	11 in. 279 mm
6 in. 152 mm	SA 569-G9S6-6-0	16 in. 406 mm	12 in. 305 mm
7 in. 177 mm	SA 569-G9S6-7-0	18 in. 457 mm	14 in. 356 mm
8 in. 203 mm	SA 569-G9S6-8-0	20 in. 508 mm	16 in. 406 mm
10 in. 254 mm	SA 569-G9S6-10-0	24 in. 610 mm	18 in. 457 mm
12 in. 305 mm	SA 569-G9S6-12-0	28 in. 711 mm	21 in. 533 mm
14 in. 356 mm	SA 569-G9S6-14-0	30 in. 762 mm	23 in. 584 mm
19 in. 483 mm	SA 569-G9S6-19-0	36 in. 914 mm	28 in. 711 mm

*Overall length including nozzle. Extension weight per inch (25 mm) = 0.06 lbs (0.03 kg)

Can be fitted to the following heads:

- BJ 441-G9-R25
- BJ 441-G9-R40
- BJ 441-G9-R70