

# STRIKER

## Automated Shotgun Cleaning System



34.5 in. W x 44 in. L  
876 mm x 1118 mm

The Striker is an automated system designed for hands-free shotgunning applications with an emphasis on safety, usability, and easy assembly. This modular system combines a rotary shotgun arm and a mobile positioning system to provide a powerful alternative to manual shotgun cleaning and surface preparation.

### COMPETITIVE ADVANTAGES

- **Highly versatile system** – enables safe, precise shotgun cleaning on blast pads, walkways and platforms, inside vessels, boilers and other difficult to access locations
- **Remotely steerable tracked base** allows for continuous cleaning without needing to stop for repositioning
- **Wireless controller** allows freedom of movement and continuous line of sight
- Shotgun arm operates in a **large cleaning window** and maintains consistent standoff distance to surface
- **Modular design** – adapts to a wide range of applications with plug-and-play accessories
- All the capability of complicated and expensive robotic systems at **half the price**

FEATURES	BENEFITS
<ul style="list-style-type: none"> <li>• Tracked base option</li> </ul>	<ul style="list-style-type: none"> <li>• High and low speed track drive functions</li> <li>• Handles up to 100 lbs of thrust</li> <li>• Includes wireless control box for tether-free operation</li> <li>• Compatible with all Striker models</li> </ul>
<ul style="list-style-type: none"> <li>• Wheeled base option (standard)</li> </ul>	<ul style="list-style-type: none"> <li>• Provides stability and easy maneuverability</li> <li>• Can be mounted to scaffolding or other structures</li> <li>• Handles up to 70 lbs of thrust</li> </ul>
<ul style="list-style-type: none"> <li>• 22k and 40k pressure options</li> </ul>	<ul style="list-style-type: none"> <li>• Optimize for your specific application</li> </ul>
<ul style="list-style-type: none"> <li>• Full shotgun wrist articulation with automatic oscillation</li> </ul>	<ul style="list-style-type: none"> <li>• Control of wrist rotation and flex allows for precise positioning of shotgun jets to clean intricate surfaces</li> <li>• Adjustable wrist flex and movement speeds</li> <li>• Set oscillation to auto for uniform cleaning</li> </ul>
<ul style="list-style-type: none"> <li>• Ergonomic controls</li> </ul>	<ul style="list-style-type: none"> <li>• Intuitive operation of entire system from outside the blast zone for increased safety</li> </ul>

# STRIKER OVERVIEW

## CONSIDERATIONS

- Do you need a dump valve and foot pedal?**  
Foot pedal, dump valve, and 1/4" hose are not included in the standard base package – work with your customer service representative to source these items.
- Do you need anchoring equipment?**  
If your pressure and flow will generate higher thrust (reaction force) than recommended in the specifications below, you must secure the frame of the Striker for safety. StoneAge offers scaffold mount and J-hook attachment options and can also provide custom solutions to meet your job requirements.
- Do you need a scaffold mount? Do you need scaffold mount outriggers?**  
If a scaffold platform is part of your job setup, scaffold mount outriggers may be used to affix the Striker to the scaffold structure. These mounting options are available for the standard base only.

## TOOL SPECIFICATIONS

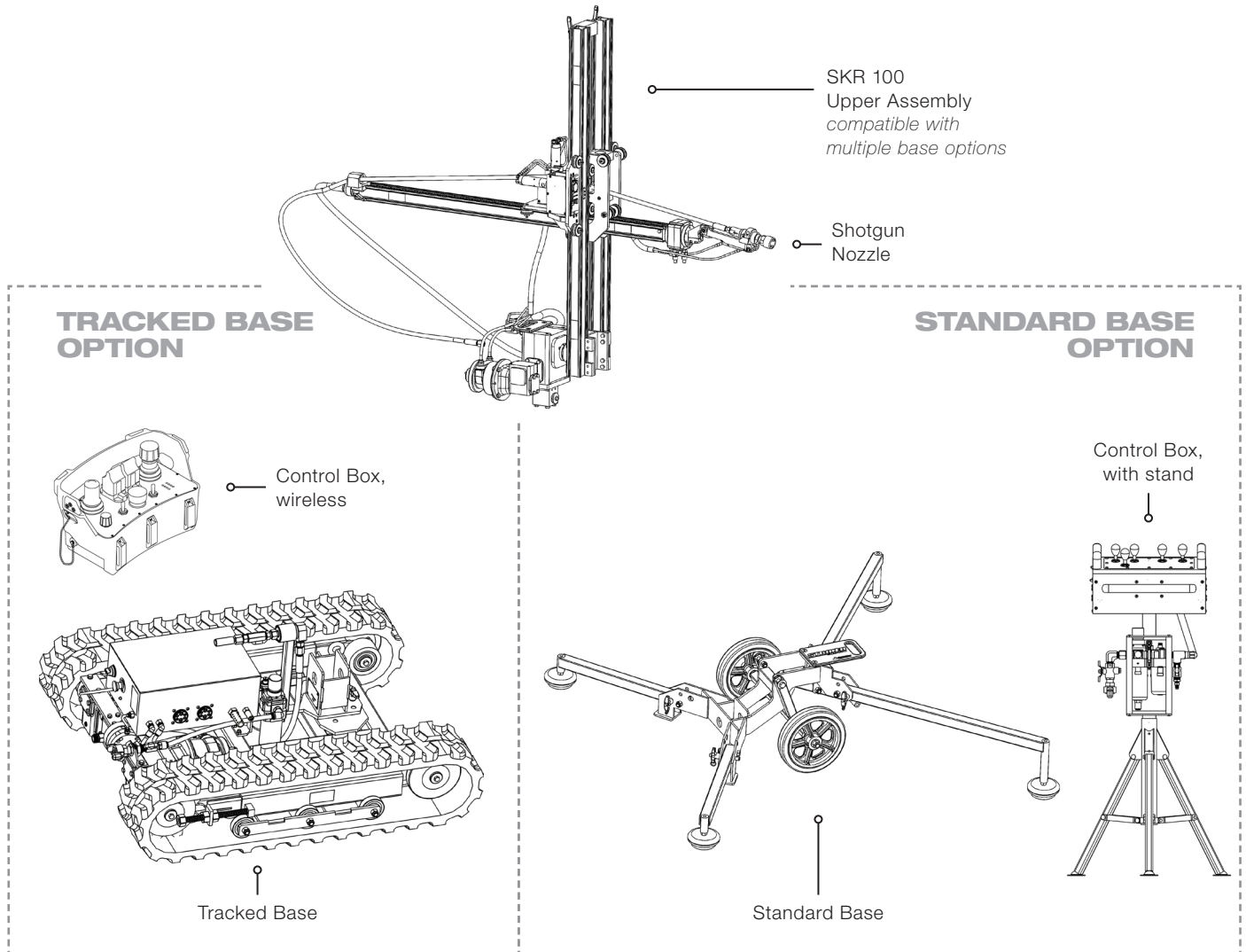
MODEL	SKR-TRK	SKR-STD
<b>Cleaning Window</b>	52 in. H x 84 in. W x 52 in. D 132 cm x 213 cm x 132 cm	52 in. H x 84 in. W x 52 in. D 132 cm x 213 cm x 132 cm
<b>Operating Pressure</b>	22k or 40k psi 1500 or 2800 bar	22k or 40k psi 1500 or 2800 bar
<b>Reaction Force</b>	Up to 100 lb 45 kg	Up to 70 lb 32 kg
<b>Air Supply Pressure</b>	80–125 psi 0.70–0.86 MPa	80–125 psi 0.70–0.86 MPa
<b>Footprint Dimensions</b>	34.5 in. W x 44 in. L 88 cm x 112 cm	25 in. W x 31 in. L 64 cm x 79 cm
<b>Footprint Dimensions with Outriggers Extended</b>	N/A	63 in. W x 55 in. L x 66 in. H 160 cm x 140 cm x 168 cm
<b>Weight, Assembled*</b>	570 lb 259 kg	260 lb 118 kg
<b>Control Box Weight</b>	6 lb 2.7 kg	43 lb 19.5 kg
<b>Recommended Operational Temperature</b>	-20–140 °F -29–60 °C	-20–140 °F -29–60 °C

\*System can be disassembled for transport.

Visit our website for tool resources including operation and maintenance videos:

**[WWW.STONEAGETOOLS.COM](http://WWW.STONEAGETOOLS.COM)**

# STRIKER CONFIGURATION



## A complete Striker configuration includes the following components:

1. SKR 100 upper assembly
2. Base, tracked or standard
3. Control box
4. Barracuda nozzle package for required pressure

## The following items may also be requested:

- Scaffold mounting assemblies (standard base option)
- Foot pedal, dump valve, 1/4" hose (standard base option)

# STRIKER CONFIGURATION

## ORDERING THE PACKAGE

StoneAge offers preconfigured base packages for the Striker. Optional items can be ordered separately.

Select a base package from the following configurations:

PACKAGE PART ID	PACKAGE CONTENTS
<b>SKR-STD-MP9-PKG</b>	1 x <b>SKR 100</b> Striker (no base)
	1 x <b>SKR 109</b> Cart base
	1 x <b>CB-SKR</b> Control box
	1 x <b>SKR 310-K</b> Hose kit, 20k
<b>SKR-STD-H9-PKG</b>	1 x <b>SKR 100</b> Striker (no base)
	1 x <b>SKR 109</b> Cart base
	1 x <b>CB-SKR</b> Control box
	1 x <b>SKR 311-K</b> Hose kit, 40k
<b>SKR-TRK-MP9-PKG</b>	1 x <b>SKR 100</b> Striker (no base)
	1 x <b>SKR 800-MP9</b> Striker Assembly, MP Includes tracked base, 22k swivel, dump, and wireless control box
<b>SKR-TRK-H9-PKG</b>	1 x <b>SKR 100</b> Striker (no base)
	1 x <b>SKR 800-H9</b> Striker Assembly, HP Includes tracked base, 40k swivel, dump, and wireless control box

Select the nozzle package to match your application:

PACKAGE PART ID	PACKAGE CONTENTS
<b>BC-K-MP-PKG</b> 2-Jet 22k/1500 bar Package	1 x <b>BC-K</b> Barracuda, 2 Port 1/4 NPT 22k psi
	2 x <b>AP4-XXX*</b> Attack Tip, 1/4 NPT
<b>BC-K-P2-MP-PKG</b> 4-Jet 22k/1500 bar Package	1 x <b>BC-K-P2</b> Barracuda, 4 Port 1/8 NPT 22k psi
	4 x <b>AP4-XXX*</b> Attack Tip, 1/8 NPT
<b>BC-H9-C-PKG</b> 4-Jet 40k/2800 bar Package	1 x <b>BC-H9-C</b> Barracuda - 40k psi, Cartridge
	4 x <b>OS7-XXX*</b> Sapphire Orifice, 7/16 NF

\*Specify nozzle size

## Optional Items

Select optional items and spare parts to complete your order.

BASE OPTION	DESCRIPTION	PART ID
Standard Base	Foot Pedal Assembly for Striker, Pneumatic	<b>FPA-SKR</b>
	Downrig Assemblies for Striker (includes 2 Aft & 2 Forward)	<b>SKR 500-K</b>
Tracked Base	Rubber Track for Striker 180x72x32 DB Track	<b>SKR 835</b>
	Bearing,6306 2RS JEM, ( BRUD 116.1)	<b>UH 075</b>
	Hose, UHP, 31in OAL (orange)	<b>SKR 831</b>
	Hose, UHP, 12ft OAL (orange)	<b>SKR 832</b>
	Valve, (5300)	<b>SKR 880.10.10</b>
	Valve, (5500)w	<b>SKR 880.10.11</b>
	Valve, (5C00)	<b>SKR 880.10.12</b>
	Antenna and Cable	<b>SKR 880.1.6</b>
	Back Pressure Check Valve	<b>SKR 880.10.14</b>
	Valve Combiner, 1/4 to 3/8	<b>SKR 880.10.21</b>
	Power Switch	<b>SKR 880.18</b>
E-Stop	<b>SKR 880.32</b>	
Available for both base options	Fixed Jet Head Assembly, MP9P4	<b>SKR 225-MP9P4</b>
	Hose, 8mm w/Abrasive Cover, 20k	<b>SKR 310</b>
	Hose, 6mm w/Abrasive Cover, 40k psi	<b>SKR 311</b>
	15k Adaptor, 9/16 MP Male to 1/2 NPT Female	<b>AF 065-MP9P8</b>