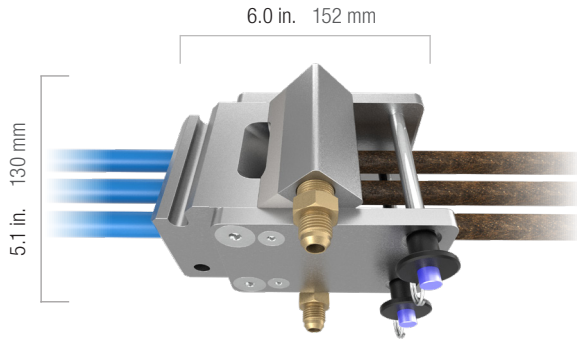


AIR KNIFE

Improved Hose Traction in Difficult Tube Cleaning Applications



The Air Knife is an accessory for AutoBox ABX-2L and ABX-3L tractors designed to improve hose traction in oily, greasy, or sticky applications. The Air Knife sits between the tube face and the AutoBox, blowing a continuous “blade” of pressurized air across the hoses before they are retracted back into the tractor. In this way, effluent is kept out of the equipment, preventing performance issues and increasing component life.

COMPETITIVE ADVANTAGES

- Removes contamination on hoses, improving hose traction and allowing the tractor to be run at lower clamp pressures
- Offers great value for reducing operator cleaning time roller/belt wear in oily or slippery applications
- Quick and simple to install, no wear items
- This product is unique to the industry

QUESTIONS TO ASK

- What type of effluent are you cleaning?

OTHER INFORMATION

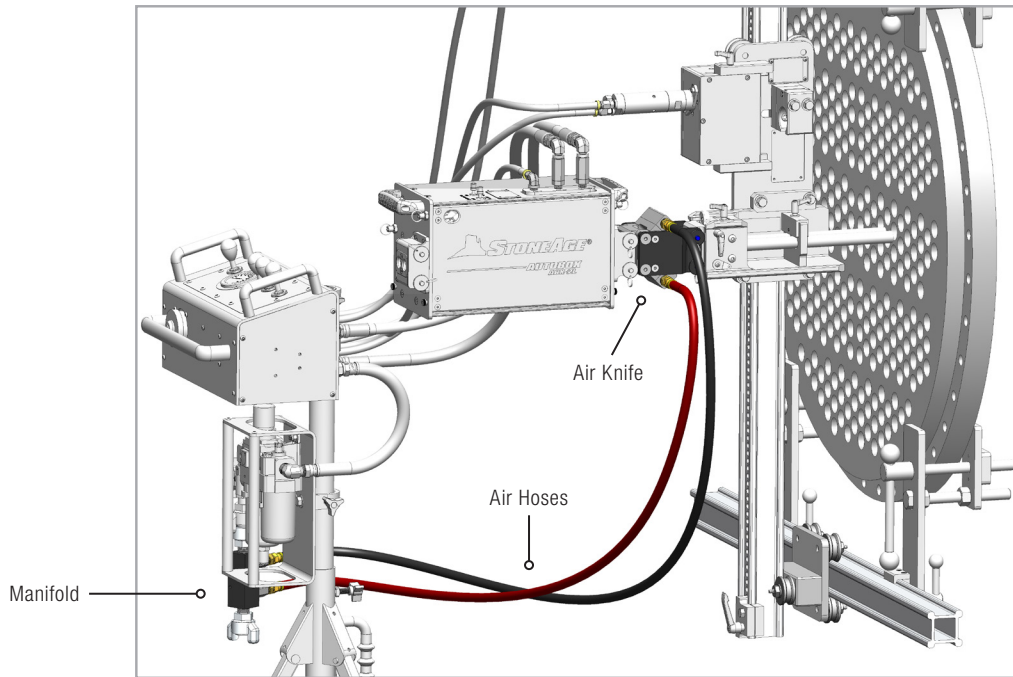
- The Air Knife package includes a manifold to divert air before it gets to the control panel and filters. Plan to use clean air to ensure optimum performance.

TOOL SPECIFICATIONS

PART ID	AK-2L, AK-3L
Assembly Weight with Hoses	13.65 lb 6.19 kg
Assembly Size	5.2 x 6.0 x 5.1 in. 132 x 152 x 130 mm
Minimum Air Supply Pressure	90 psi 0.62 MPa
Nominal Air Supply Pressure	100 psi 0.69 MPa
Maximum Air Supply Pressure	125 psi 0.86 MPa
Nominal Air Supply Volume	5 CFM at 100 PSI 8.5 m ³ /h at 0.69 MPa
Optimal Operational Temperature*	40—140° F 4—60° C

* Use a dessicant air dryer if operating below 40° F (4° C) to avoid freezing the manifold

AIR KNIFE CONFIGURATION



PACKAGE INFO

The **Air Knife** is available for the ABX-2L and ABX-3L, and includes the base assembly, manifold, and hoses.

PART ID **AK-2L**

QTY	DESCRIPTION	PART ID
1	Air Knife Base Assy, 2L	AK 120
1	Manifold Assy, Air Knife, 2L 3L	AK 140
1	Hose Bundle Assy, 3/8	CB 372-25

PART ID **AK-3L**

QTY	DESCRIPTION	PART ID
1	Air Knife Base Assy, 2L	AK 120
1	Manifold Assy, Air Knife, 2L 3L	AK 140
1	Hose Bundle Assy, 3/8	CB 372-25

Visit our website for tool resources including operation and maintenance videos:

WWW.STONEAGETOOLS.COM