



OPERATING WATERBLASTING EQUIPMENT CAN BE POTENTIALLY HAZARDOUS.
SEE PAGE 125 FOR IMPORTANT SAFETY INFORMATION

CURVED PIPE CLEANING

2" BADGER

The 2" Badger is a self-rotating tool designed for cleaning 2–4 in. (51–102 mm) pipes with bends and long radius elbows such as U-Tubes and process lines. The latest design includes a spring-loaded pin that ratchets the head to machined edges on the shaft. Therefore, the head can only be removed with a special head removal tool, not while in operation.

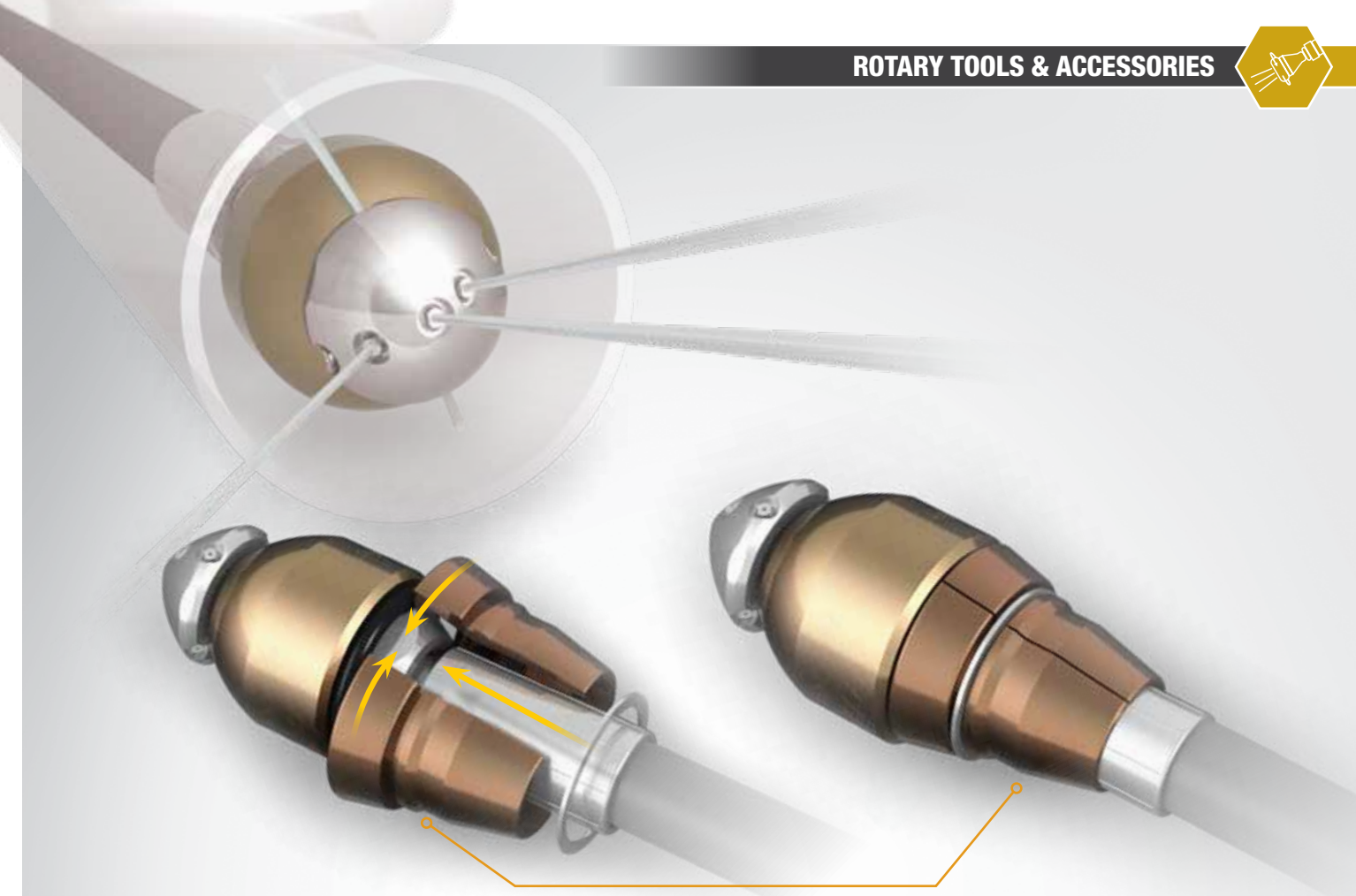
FEATURES:

- The only self-rotary tool on the market that can navigate 2 in. (50 mm) pipes with bends
- The only tool in the industry with head locking technology for increased safety
- Multiple jetting options allow the tool to be optimized for a variety of pump pressures and flows. Unplug, polish, or run longer lines based on jetting
- Pair with the ABX-PRO for hands-free mole lining



NEW
BA-530 FAIRING

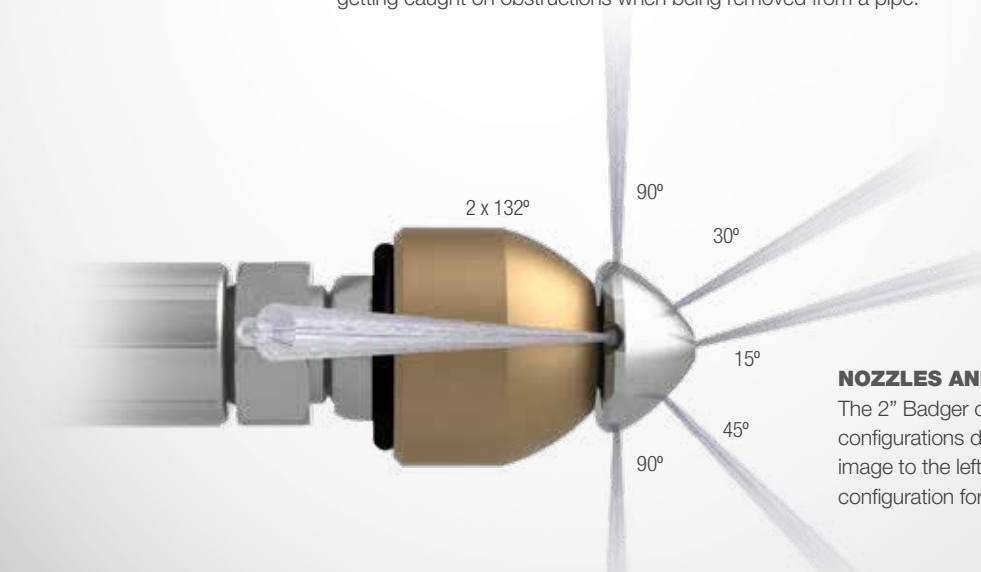
TOOL MODEL	PRESSURE RANGE	FLOW RANGE	INLET CONNECTION	WEIGHT	MAX WATER TEMPERATURE
BA-LK-P4 BA-LK-BSPP4	2–15k psi 140–1000 bar	3–20 gpm 11–76 l/min	1/4" NPT or 1/4" BSPP	0.45 lb 0.20 kg	250 °F 120 °C
BA-LK-MP9L BA-LK-MP9R	12–22k psi 830–1500 bar	3–15 gpm 11–57 l/min	9/16" MP	0.45 lb 0.20 kg	250 °F 120 °C



BA-530 FAIRING

Specifically designed to be attached to the hose behind a 2" Badger rotary pipe cleaning tool.

The tapered sides of the fairing prevent the rear edge of the Badger from getting caught on obstructions when being removed from a pipe.



NOZZLES AND PLUGS

The 2" Badger can be jetted in different configurations depending on the application. The image to the left shows the standard nozzle/plug configuration for the 2" Badger tool.

2" BADGER

7 Ports: 1 @ 15°, 1 @ 30°, 1 @ 45°, 2 @ 90°, 2 @ 132°

TOOL	TOOL KIT	MANUAL
2" Badger	BA 612-LK	PL 593