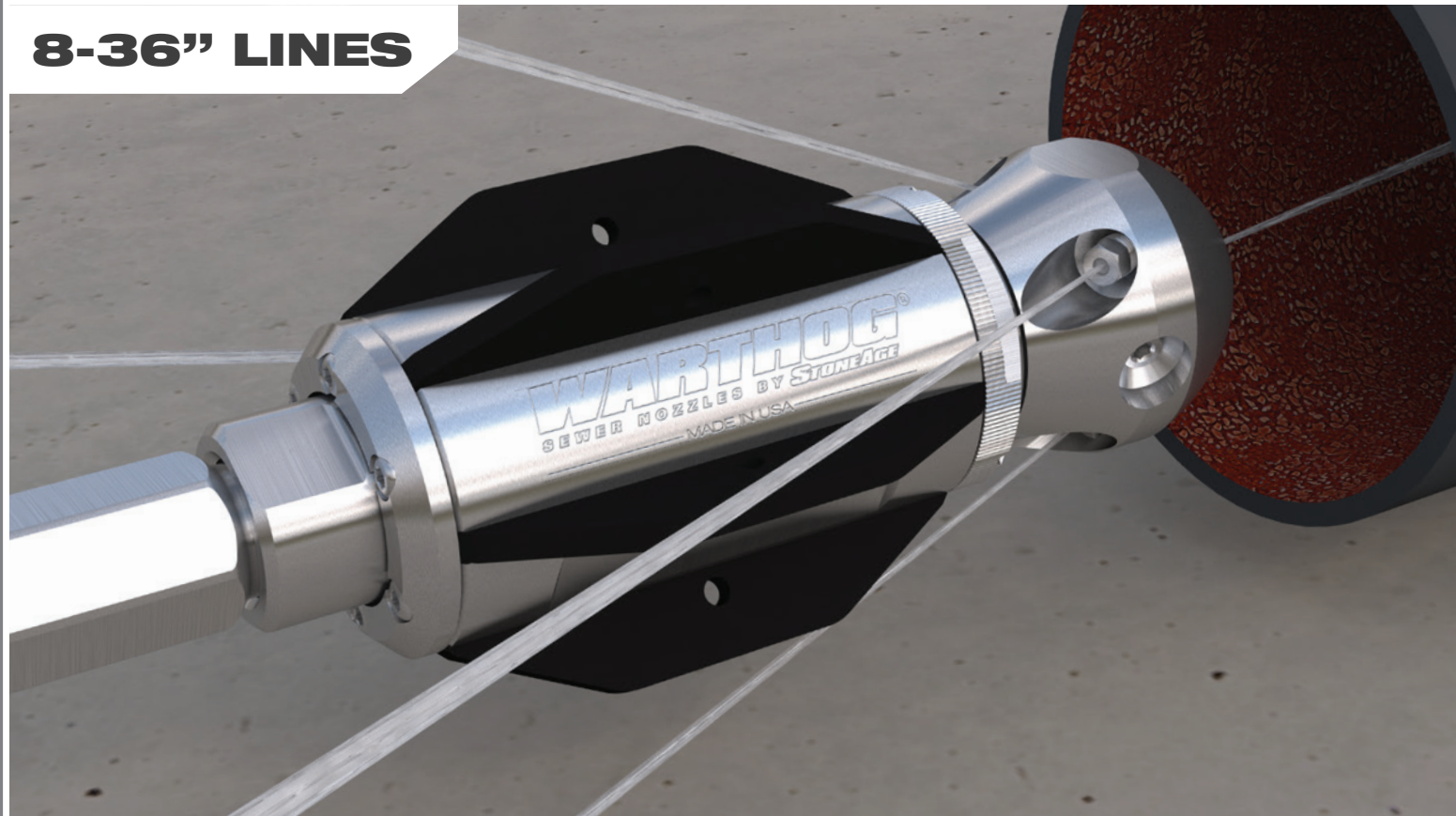
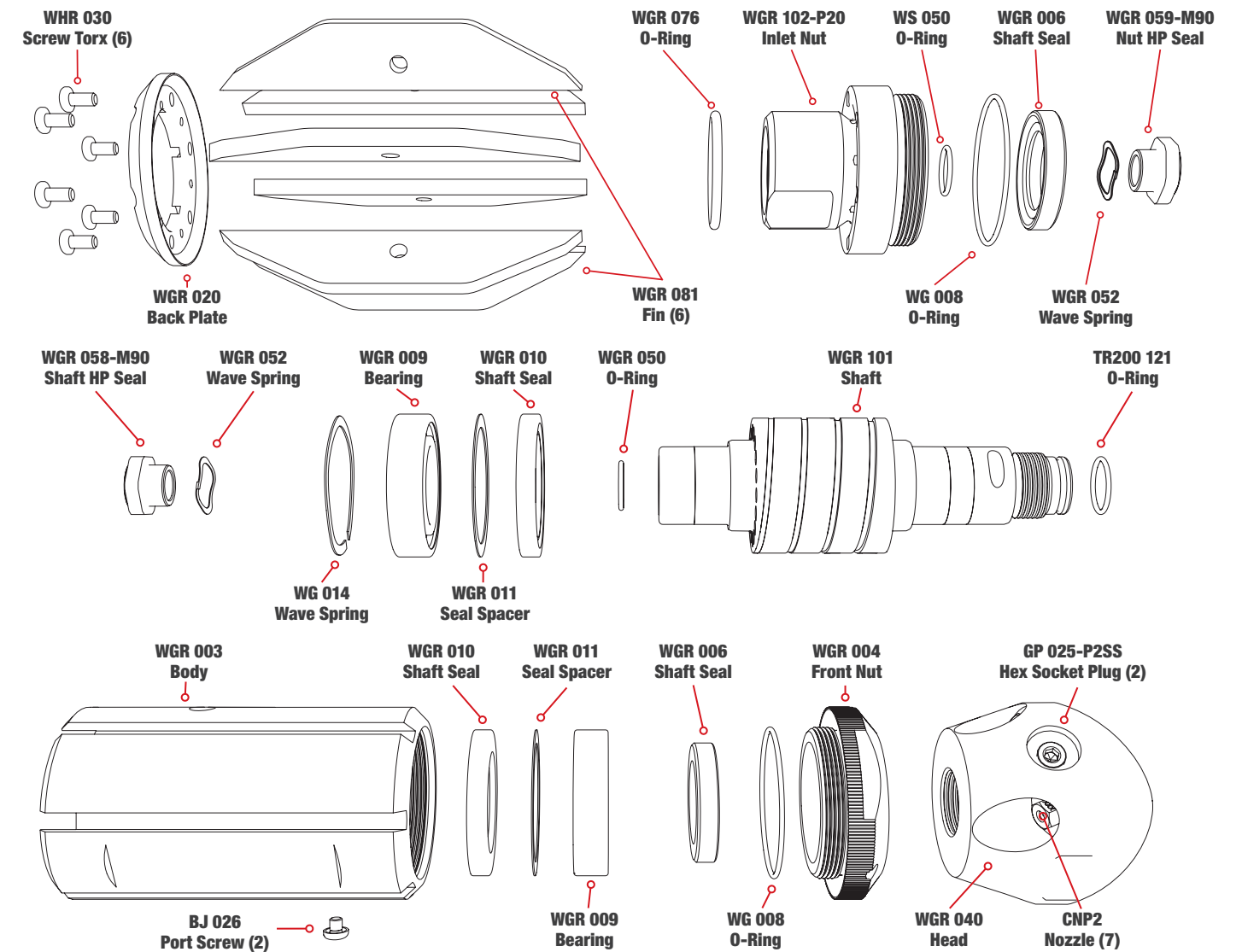


**8-36" LINES**



**WGR MAGNUM**

EXPLODED VIEW - PART NAMES AND NUMBERS



**WGR MAGNUM**

The WGR Magnum is the first tool in the Warthog Magnum series, specifically designed for extended tool durability and optimal handling of dirty or recycled water.

**FEATURES:**

- Optimized speed control extends maintenance intervals
- Effectively handles dirty or recycled water
- Flush style head protects front shaft seals for longer tool life
- Streamlined design keeps tool from catching inside pipe
- Hardened steel centralizer with 4x longer life
- Optional fin sizes for different pipe diameters
- Independently replaceable fins can be easily replaced without opening tool body
- Choose your rotation speed with 3 viscous fluid options

**WGR MAGNUM**

Up to 5k psi (350 bar)
50-80 gpm Flows (190-300 l/min)
8-36" Lines (203-914 mm)
Standard Descaler or Puller Descaler

**WGR Specifications**

<b>MAXIMUM PRESSURE</b>	5k psi 350 bar
<b>OPERATING PRESSURE</b>	1500-5k psi 100-350 bar
<b>ROTATION SPEED</b>	150-300 rpm
<b>FLOW</b>	50-80 gpm 190-300 l/min
<b>FLOW RATING</b>	6 Cv
<b>INLET CONNECTION</b>	1 in. NPT or 1 in. BSPP
<b>NOZZLE PORTS</b>	7 x 1/8 NPT
<b>DIAMETER</b>	4.5 in. 114 mm
<b>LENGTH</b>	10.25 in. 260 mm
<b>WEIGHT</b>	13 lb 5.9 kg

**TECH TIP: SWITCHER HEAD**

If you own a WGR MAGNUM, the head can be replaced with the SWITCHER head: WHR 040-RXX-SWT to expand usage.

**Maintenance & Overhaul Kits**

**WGR 600 • SERVICE KIT**

- (1) BJ 026 ..... Port Screw
- (1) BJ 048-M ..... Visc Fluid, 6oz
- (1) BJ 062-S ..... Antiseize, 2g
- (1) GP 049 ..... Grease Syringe
- (1) TR200 121 SHAFT ..... O-Ring
- (1) WG 008 ..... Nut O-Ring
- (2) WGR 006 ..... Shaft Seal – Outer
- (2) WGR 009 ..... Bearing
- (2) WGR 010 ..... Shaft Seal – Inner
- (2) WGR 011 ..... Seal Spacer
- (2) WGR 050 ..... O-Ring
- (6) WHR 030 ..... Torx Screws

**WGR 601 • FLUID KIT**

- (1) WGR 601 ..... Fluid Service Kit
- (1) BC 410 ..... Syringe
- (2) BJ 026 ..... Port Screw
- (1) WGR 048 ..... Visc Fluid, 6oz
- (3) VISC. FLUID OPTIONS AVAILABLE

**WGR 602 • HP SEAL KIT**

- (1) BJ 062-S ..... Antiseize, 2g
- (2) WGR 052 ..... HP Seal Wave Spring
- (1) WGR 058 ..... HP Seal – Shaft
- (1) WGR 059 ..... HP Seal – Nut
- (2) WGR 050 ..... HP Seal O-Ring

**WGR 610 • OVERHAUL KIT**

- (2) BJ 026 ..... Port Screw
- (1) BJ 062-S ..... Antiseize, 2g
- (1) GP 025-P2SS ..... Front Jet Plug
- (1) TR200 121 ..... Head – Shaft O-Ring
- (1) WG 008 ..... Nut O-Ring
- (1) WG 014 ..... Bearing Wave Spring
- (2) WGR 006 ..... Shaft Seal – Outer
- (2) WGR 009 ..... Bearing
- (2) WGR 010 ..... Shaft Seal – Inner
- (2) WGR 011 ..... Seal Spacer
- (6) WHR 030 ..... Torx Screws
- (1) WGR 048 ..... Visc Fluid, 6oz

- (2) WGR 052 ..... HP Seal Wave Spring
- (1) WGR 058 ..... HP Seal – Shaft
- (1) WGR 059 ..... HP Seal – Nut
- (1) WGR 076 ..... Weep Seal O-Ring
- (1) WGR 180 ..... Torx L-Wrench
- (2) WGR 050 ..... HP Seal O-Ring

**WGR 612 • TOOL KIT**

- (1) WGR 180 ..... Torx L- Wrench
- (1) WGR 181 ..... Removal Press Tube
- (1) WGR 182 ..... Installation Press Tube
- (1) WGR 183 ..... Hex Tool
- (1) WGR 184 ..... HP Seal Install Tool