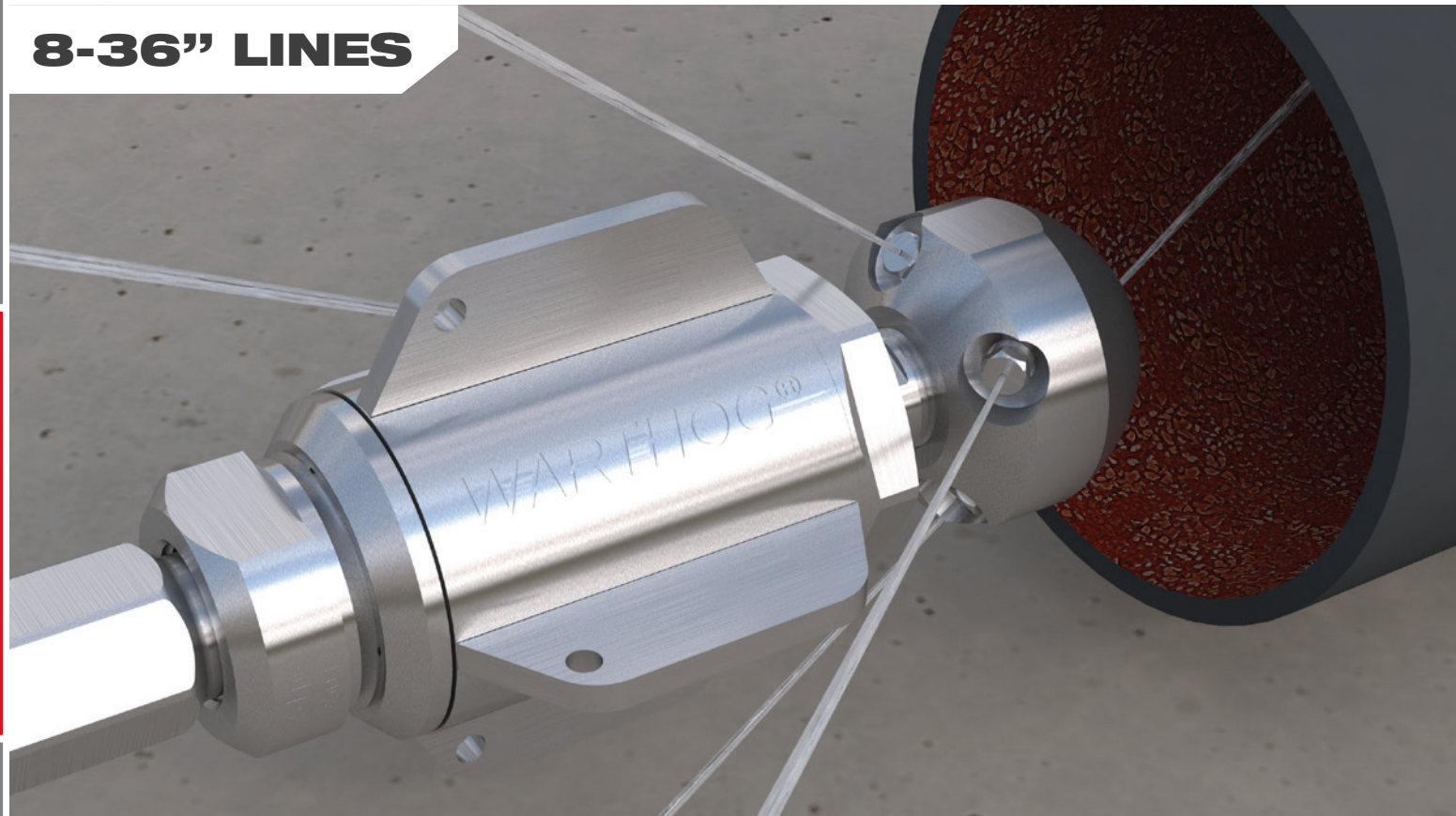


8-36" LINES



CLASSIC

8-36" LINES

WG-1

The WG-1 is the proven choice for municipal, industrial and commercial drain cleaning applications. Predominately used in large combination trucks with 1" (25 mm) hose, the WG-1 is field-maintainable for low cost of ownership and can be fitted with replaceable AP2 nozzle tips sized to maximize pump efficiency and effectiveness.

WG-1	Up to 5k psi (350 bar)
8-36" Lines (203-914 mm)	50-80 gpm Flows (190-300 l/min)
	Classic WG-1 Model

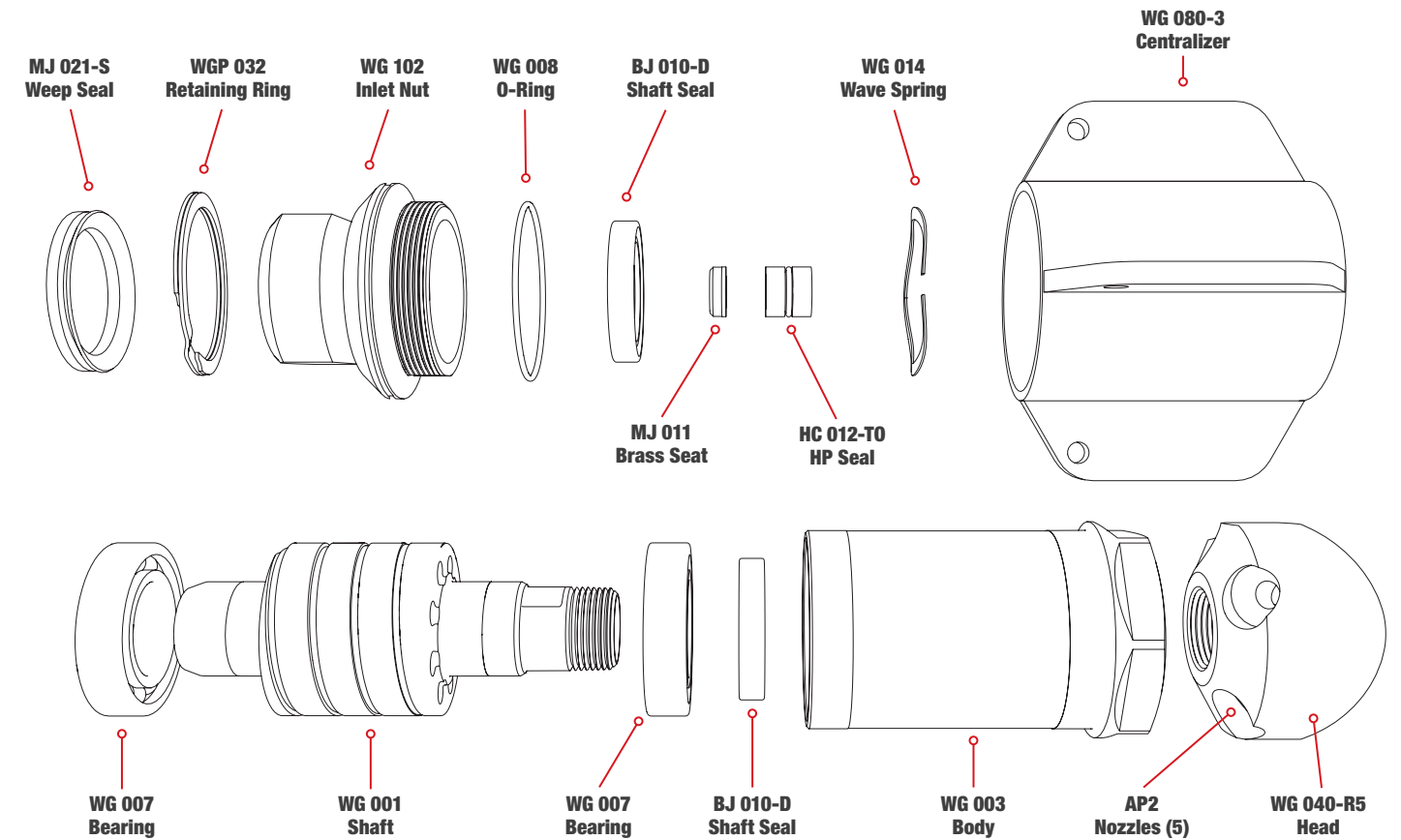
FEATURES:

- **Controlled rotation** — Slower dwell time allows jets to penetrate deeper through deposits
- **Multiple head options** — Customize tool for unplugging, descaling or manhole cleaning
- **Highest quality jets** — Hardened stainless steel orifices resist cracking and scratching
- **Optional descaling head available**

WG-1 Specifications	
MAXIMUM PRESSURE	5k psi 350 bar
OPERATING PRESSURE	1500-5k psi 100-350 bar
ROTATION SPEED	150-300 rpm
FLOW	50-80 gpm 190-300 l/min
FLOW RATING	4.6 Cv
PULLING FORCE	70-100 lb 310-450 Nm
INLET CONNECTION	1 NPT or BSPP
NOZZLE PORTS	5 x 1/8 NPT (P2)
LENGTH	9.1 in. 231 mm
DIAMETER	4.8 in. 122 mm
WEIGHT COMPLETE	10.9 lb 4.9 kg

WG-1 CLASSIC

EXPLODED VIEW - PART NAMES AND NUMBERS



Maintenance & Overhaul Kits

WG 600 • SERVICE KIT

- (1) **BJ 048-F**..... Visc. Fluid, 6oz.
- (1) **BJ 062-S**..... Antiseize, 2g
- (1) **GP 025-P2SS**..... Hex Socket Plug
- (1) **MJ 011**..... Brass Seat
- (1) **HC 012-T0**..... HP Seal & O-Ring

WG 602 • SEAL KIT

- (1) **MJ 011**..... Brass Seat
- (1) **HC 012-T0**..... HP Seal & O-Ring

WG 610 • OVERHAUL KIT

- (2) **BJ 010-D**..... Shaft Seals
- (1) **BJ 048-F**..... Visc. Fluid, 6oz.
- (1) **BJ 062-S**..... Antiseize, 2g
- (1) **MJ 011**..... Brass Seat
- (1) **HC 012-T0**..... HP Seal & O-Ring
- (2) **WG 007**..... Ball Bearings
- (1) **WG 008**..... O-Ring
- (1) **WG 014**..... Wave Spring
- (1) **MJ 021-S**..... Weep Seal
- (1) **WGP 032**..... Retaining Ring

WG 612 • TOOL KIT

- (1) **HC 064**..... Fill Tube
- (1) **BJ 105**..... Tool

TECH TIP: DESCALING HEADS

We recommend plugging the front jets to help maximize descaling and pulling power when using this option.

Optional Descaling Head Part Number:
WG 040-DS-R5